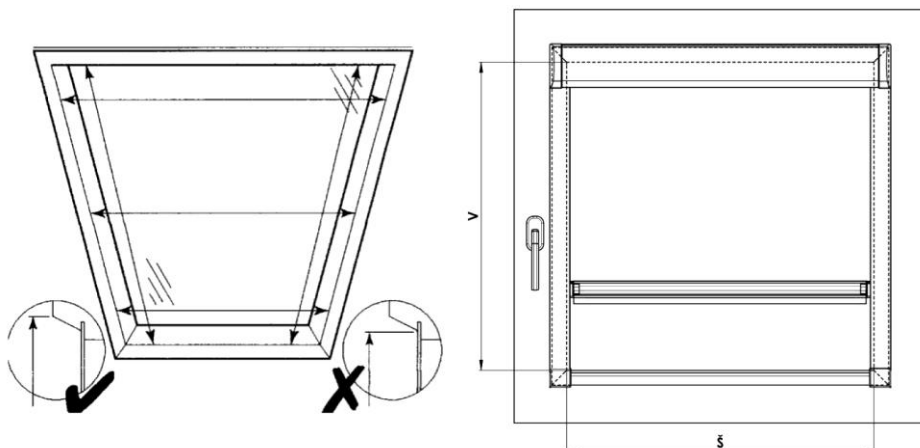


## R-LITE ROLLER BLIND



### 1. MEASUREMENT OF THE WINDOW:

Take the measurements as indicated in the picture. Measurements are taken at the top of the frame of the window wing, not at the glazed area. If the window has a model label, then it is sufficient to mention in the order form the exact name and model of the roof window. The minimum depth for assembly is 40 mm.

THE WIDTH AND HEIGHT OF THE LIGHT HOLE IN THE WINDOW WING IS MEASURED IN THE FOLLOWING WAY:

w.... (width)

The measurement is from the left top to the right top of the window wing, up in the place of the roller blind fixation.

The width of the blind is produced in a precision of millimeters from the width 300 mm up to the width of 1200 mm.

It is recommended to consult with the manufacturer dimensions outside the stated limits.

h .... (height)

Measurements are taken in the same way as width, from the upper top to the lower top of the window wing and these are written into the order form of the blind.

The height of the blind is produced with a precision of millimeters from the height 300 mm up to the height 1600 mm.

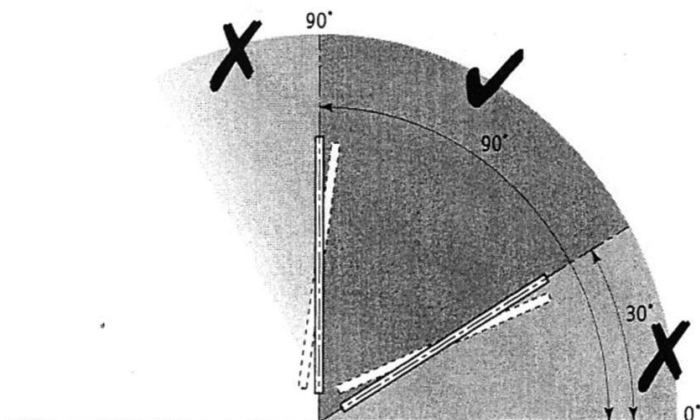
It is recommended to consult with the manufacturer dimensions outside the stated limits, too.

IN THE ORDER FORM, IT IS NECESSARY TO SPECIFY:

1. dimension
2. type of window and identification number of the window
3. angle of the glazing bar (90°, 96°, 100°, 102°, 105°)

**ATTENTION!**

If the sky light window does not have a model label and there is no possibility to state the angle of the glazing bar, it is necessary to mention in the order form, in addition to the dimensions on the top of the frame, the dimensions for the glass, including the depth of the window frame. The exact angle of the glazing bar of the frame of the roof window can be derived from these parameters.



**ATTENTION!!!** THE ANGLE OF THE ROOFDECLINATION MUST NOT BE LESS THAN 30° AND MORE THAN 90°.

## 2. ASSEMBLY

Assemble exactly according to this manual to prevent redundant assembly errors and other related problems.

**AIDS FOR ASSEMBLY:**

- electric drill
- cross-head screwdriver
- knife, scissors, pliers
- allen key 1,5
- for clip fixation: screw 3x17

**CONTROL:**

- before assembly we recommend to inspect all of the delivered parts of the goods to prevent any problems. The manufacturer must be notified of any defects or comments concerning the assembly of the blinds.
- never unfold the roller blind before assembly.
- remove all obstacles from the sky light that could prevent the assembly (plastic holders etc).



## ASSEMBLY:

- never unfold the roller blind before assembly.
- remove all obstacles from the sky light that could prevent the assembly.



## FIXATION OF CEILING CLIPS:

- place the angle clip to the upper edge of the window wing in the distance which delimit the clip end stop itself (see picture one).
- screw and then break off the exceeding parts, which defined the assembly depth (for plastic window use fore drilled holes – drill  $\varnothing$  2mm).



## FIXATION OF THE UPPER PROFILE:

- loose the stretching cords on the roller blind .
- assembly bases of the clip must be pressed to the side boards of the roller blind (see picture two).
- catch the upper profile and slip it frontally on the angle ceiling clips to make the end stop click (see picture three).



## GUIDING CHANNELS ASSEMBLY:

- insert the guiding channels under the upper profile, align them with the edge of the frame and screw them.
- pay attention that the stretching cords are not between the guiding channels and the window frame.



## FIXATION OF THE STRETCHING CORDS:

- clamp the stretching holders located on the ends of cords into the lower ends of the guiding channels.

## ADJUSTMENT OF THE ROLLER BLIND BRAKE:

- if necessary, the brake of the blind can be adjusted by setting the stretching cords - both of them must be stretched in the same level!!
- adjust the brake by moving the metal roller on the end of the cord. The following rule is always valid: the higher the stretching of the cord, the higher braking of the blind.
- the correctly adjusted brake holds the blind in any position when lifting.
- ATTENTION! - Too much stretching of the leading cords can damage the whole roller blind breaking system.
- cut off the excess cord ends.



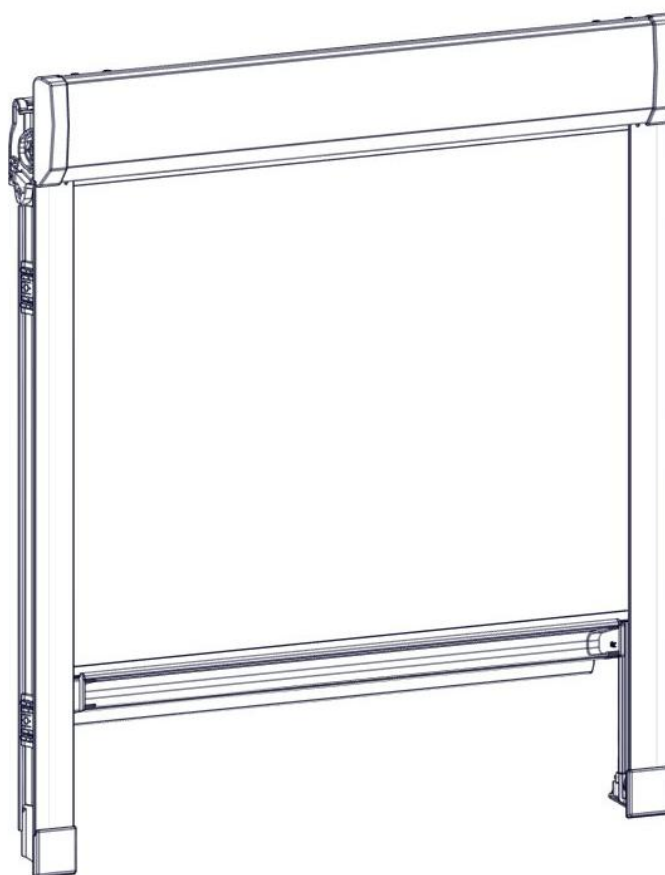
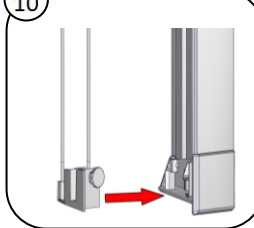
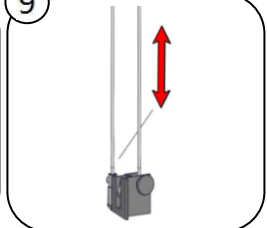
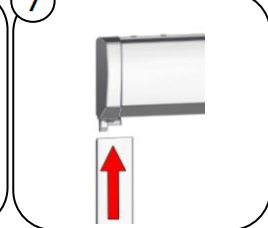
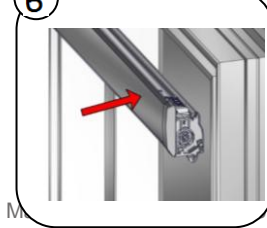
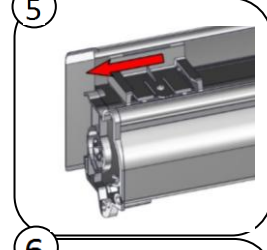
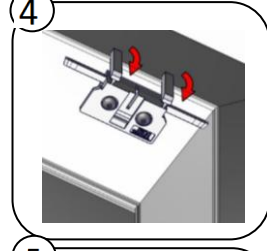
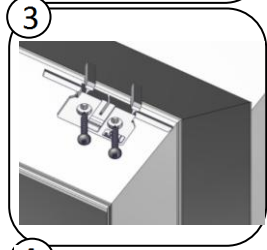
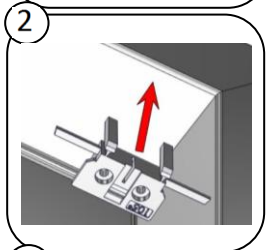
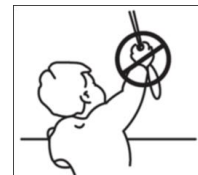
Manual validity: 16. 2. 2016

## COMPLETION:

- lower the blind by catching the lower bar into the lower part of the window and check the functionality.
- the blind is ready for good use.

**Demonstrative assembly of the R-lite roller blind**

The roller blind is installed in agreement with safety elements of the norm EN 13120



M